

High Quality PTFE Wafer Butterfly Valve with Electric Actuator

Технические характеристики

По вопросам продаж и поддержки обращайтесь:

Алматы (7273)495-231
Архангельск (8182)63-90-72
Астрахань (8512)99-46-04
Барнаул (3852)73-04-60
Белгород (4722)40-23-64
Брянск (4832)59-03-52
Владивосток (423)249-28-31
Волгоград (844)278-03-48
Вологда (8172)26-41-59
Воронеж (473)204-51-73
Екатеринбург (343)384-55-89
Иваново (4932)77-34-06
Ижевск (3412)26-03-58
Иркутск (395)279-98-46
Россия (495)268-04-70

Казань (843)206-01-48
Калининград (4012)72-03-81
Калуга (4842)92-23-67
Кемерово (3842)65-04-62
Киров (8332)68-02-04
Краснодар (861)203-40-90
Красноярск (391)204-63-61
Курск (4712)77-13-04
Липецк (4742)52-20-81
Магнитогорск (3519)55-03-13
Москва (495)268-04-70
Мурманск (8152)59-64-93
Набережные Челны (8552)20-53-41
Нижний Новгород (831)429-08-12
Киргизия (996)312-96-26-47

Новокузнецк (3843)20-46-81
Новосибирск (383)227-86-73
Омск (3812)21-46-40
Орел (4862)44-53-42
Оренбург (3532)37-68-04
Пенза (8412)22-31-16
Пермь (342)205-81-47
Ростов-на-Дону (863)308-18-15
Рязань (4912)46-61-64
Самара (846)206-03-16
Санкт-Петербург (812)309-46-40
Саратов (845)249-38-78
Севастополь (8692)22-31-93
Симферополь (3652)67-13-56
Казахстан (7172)727-132

Смоленск (4812)29-41-54
Сочи (862)225-72-31
Ставрополь (8652)20-65-13
Сургут (3462)77-98-35
Тверь (4822)63-31-35
Томск (3822)98-41-53
Тула (4872)74-02-29
Тюмень (3452)66-21-18
Ульяновск (8422)24-23-59
Уфа (347)229-48-12
Хабаровск (4212)92-98-04
Челябинск (351)202-03-61
Череповец (8202)49-02-64
Ярославль (4852)69-52-93



High Quality PTFE Wafer Butterfly Valve with Electric Actuator

Min. Order: 1 Piece

Port: Tianjin, China

Production Capacity:

5000PCS/Month

Payment Terms: L/C, T/T,
D/P, Western Union,
Paypal, Money Gram

Work Pressure: Low
Pressure (Pn<1.6mpa)

Working Temperature:
Normal Temperature
(-40°C<T<120°C)

Material of Seal Surface:
Soft Sealed

Valve Body: Casting
Application: Industrial
Usage, Water Industrial
Usage, Household Usage

Standard: API609
Size: Dn50-Dn1000
Material: Cast Iron,Ductile
Iron,Carbon Steel

Trademark: TFW

Transport Package:
Plywood Case

Specification: CE
Origin: Tianjin China

HS Code: 84818040

Media: Water

Driving Mode: Manual

Connection Form: Wafer

Structure: Centre Sealing

Seal Form: Force Sealed

Valve Stem: Normal

Product Description

Features:

1. Small in size, light in weight, easy installation and maintenance.
2. Simple and compact construction, quick 90 degree on-off operation.
3. Minimized operating torque, energy saving.
4. Flow curve tending to straight line, excellent regulation performance.
5. Long service life, standing the test of tens thousands opening/closing operations.
6. Wide selection of materials, applicable to various medium.

Performance:

Nominal pressure (MPa)		1.0	1.6
Nominal diameter(mm)		50-1000	50-1000
Test pressure (MPa)	Shell	1.5	2.4
	Seal	1.1	1.76
Applicable temperature		150	
Applicable medium		Fresh water, Sewage, Sea water, Air, Vapor, Food, Medicine, Oils, Acids, Alkalis, etc.	
Operating mode		manual, worm gear, pneumatic, electric, etc.	

Standard:

Design & Manufacture	Flange Connection	Face to Face Dimension	Test & Inspection
MSS SP-67 API609 EN593	DIN PN10/16/25; ANSI B 16.1 BS4504; ISO PN10/16 JIS B 2212/2213 BS 10 table D; BS 10 table E	API609 ISO5752 series 20 BS5155	API 598

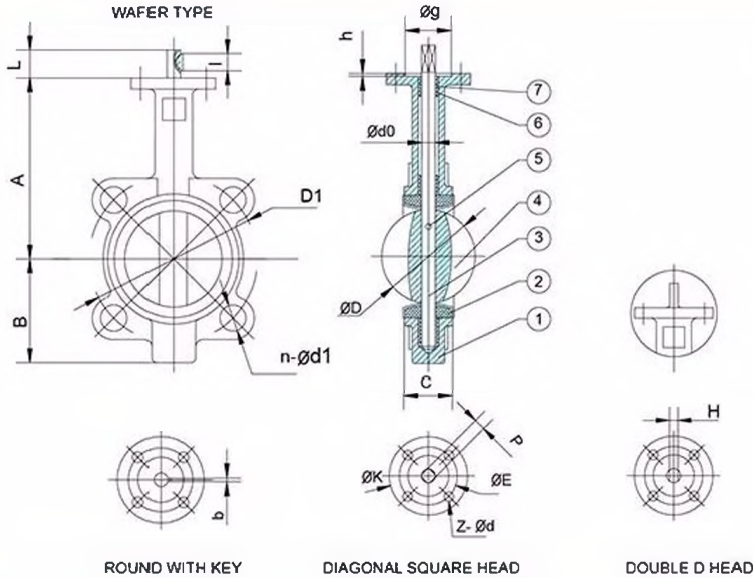
Material List:

No.	Part Name	Material
1	Body	Carbon Steel/Stainless Steel/Cast Iron/Ductile Iron/ Al-Bronze
2	Disc	Al-Bronze/CF8M/Ductile iron/WCB
3	Seat	EPDM/PEFE/Buna/NBR/Hypalon
4	Stem	Carbon Steel/Stainless Steel314/Stainless Steel316

5	Bushing	PTFE/Lubricating
6	O ring	EPDM/PEFE/Buna/NBR/Hypalon
7	Pin	SS316/SS416/SS304



Wafer Butterfly Valve



STANDARD MATERIALS OF MAIN PARTS

NO.	PART	MATERIAL
1	Body	Cast Iron ,Ductile iron ,Carbon Steel ,Stainless Steel
2	Seat	NBR,EPDM,Viton,Neoprene ,Hypalon,Silicon
3	Shaft	Stainless Steel416,316,304
4	Disc	Ductile Iron +Ni,CF8,CF8M,Bronze
5	Pin	Stainless Steel
6	Bushing	PTFE,Bronze
7	O Ring	NBR,EPDM

DIMENSIONS

SIZE	in	DN	A	B	C	D	L	d0	P	H	key		UPPER FLANGE				ANSI 150		DIN PN10/16	
											bxt	l	K	E	z-d	g	h	D1	n-ød1	D1
1-1/2	40	145	75	33	42.4	32	32	12.6	-	-	3X16	77	50	4.7	35	3	98.5	4-16	110	4-18
2	50	161	80	42	52.6	32	32	12.6	9	10	3X16	77	50	4.7	35	3	120.5	4-19	125	4-18
2-1/2	65	175	89	44.7	64.5	32	32	12.6	9	10	3X16	77	50	4.7	35	3	139.5	4-19	145	4-18
3	80	181	95	45.2	78.8	32	32	12.6	9	10	3X16	77	50	4.7	35	3	152.5	4-19	160	4-18
4	100	200	114	52.1	104	32	32	15.77	11	12	5X19	90	70	4.9	55	3	190.5	8-19	180	8-18
5	125	213	127	54.4	123.3	32	32	18.92	14	14	5X19	90	70	4.9	55	3	216	8-22	210	8-18
6	150	226	139	55.8	155.6	32	32	18.92	14	14	5X19	90	70	4.9	55	3	241.5	8-22	240	8-23
8	200	260	175	60.6	202.5	45	45	22.1	17	17	5X19	125	102	4.12	70	35	298.5	8-22	295	8-12-23
10	250	292	203	65.6	250.5	45	45	28.45	22	22	8X28	125	102	4.12	70	35	362	12-25	350/355	12-23-27
12	300	337	242	76.9	301.6	45	45	31.6	22	24	8X28	140	102	4.12	70	35	432	12-25	400/410	12-23/27
14	350	368	267	76.5	333.3	45	45	31.6	22	24	8X28	140	102	4.12	70	35	476	12-29	460/470	16-23/27
16	400	400	309	86.5	389.6	51/272	33	15/38	24	24	10X50	197	140	4-18	100	4	540	16-29	515/525	16-27/30
18	450	422	328	105.6	440.5	51/272	38/42	8.6	27	27	10X50	197	140	4-18	100	4	578	16-32	565/585	20-27/30
20	500	480	361	131.8	491.6	64/282	41	15/45.72	32	32	10X50	197	140	4-18	100	4	635	20-32	620/650	20-27/33
24	600	562	459	152	592.5	70/282	50	65/53.98	36	36	2-16X60	276	165	4.23	130	5	749.5	20-35	725/770	20-30/36
28	700	624	520	163	695	66/82	55/63	35	-	-	2-18X63	300	254	8-18	200	55	863.5	28-35	840	24-30/36
30	750	660	539	165	744.3	66/82	55/63	35	-	-	2-18X63	300	254	8-18	200	55	914.5	28-35	-	-
32	800	672	591	188	794.7	66/82	55/63	35	-	-	2-18X63	300	254	8-18	200	55	978	28-41	950	24-33/39
36	900	720	656	203	864.7	118	75	-	-	-	2-20X100	300	254	8-18	200	55	1086	32-41	1050	28-33/39
40	1000	800	721	216	965	142	85	-	-	-	2-20X100	300	254	8-18	200	55	1200	36-41	1100/1170	28-36/42

- Type: Wafer
- Face to Face: API609,BS5155,DIN3202, ISO5752
- Flange: DIN,BS,UNI,ISO,ANSI, AS,JIS
- Mounting Flange: ISO5211

- Working Pressure: PN16(200PSI)
- Application: Water works, Public facilities, Building Industry, Petroleum, Chemical, Steel, Metallurgy, Paper Making Industry, Foods, Beverage



По вопросам продаж и поддержки обращайтесь:

Алматы (7273)495-231	Казань (843)206-01-48	Новокузнецк (3843)20-46-81	Смоленск (4812)29-41-54
Архангельск (8182)63-90-72	Калининград (4012)72-03-81	Новосибирск (383)227-86-73	Сочи (862)225-72-31
Астрахань (8512)99-46-04	Калуга (4842)92-23-67	Омск (3812)21-46-40	Ставрополь (8652)20-65-13
Барнаул (3852)73-04-60	Кемерово (3842)65-04-62	Орел (4862)44-53-42	Сургут (3462)77-98-35
Белгород (4722)40-23-64	Киров (8332)68-02-04	Оренбург (3532)37-68-04	Тверь (4822)63-31-35
Брянск (4832)59-03-52	Краснодар (861)203-40-90	Пенза (8412)22-31-16	Томск (3822)98-41-53
Владивосток (423)249-28-31	Красноярск (391)204-63-61	Пермь (342)205-81-47	Тула (4872)74-02-29
Волгоград (844)278-03-48	Курск (4712)77-13-04	Ростов-на-Дону (863)308-18-15	Тюмень (3452)66-21-18
Вологда (8172)26-41-59	Липецк (4742)52-20-81	Рязань (4912)46-61-64	Ульяновск (8422)24-23-59
Воронеж (473)204-51-73	Магнитогорск (3519)55-03-13	Самара (846)206-03-16	Уфа (347)229-48-12
Екатеринбург (343)384-55-89	Москва (495)268-04-70	Санкт-Петербург (812)309-46-40	Хабаровск (4212)92-98-04
Иваново (4932)77-34-06	Мурманск (8152)59-64-93	Саратов (845)249-38-78	Челябинск (351)202-03-61
Ижевск (3412)26-03-58	Набережные Челны (8552)20-53-41	Севастополь (8692)22-31-93	Череповец (8202)49-02-64
Иркутск (395)279-98-46	Нижний Новгород (831)429-08-12	Симферополь (3652)67-13-56	Ярославль (4852)69-52-93
Россия (495)268-04-70	Киргизия (996)312-96-26-47	Казахстан (7172)727-132	