

Stainless steel wafer butterfly valve with PTFE seat With pneumatic actuator

Технические характеристики

По вопросам продаж и поддержки обращайтесь:

| | | | |
|-----------------------------|---------------------------------|--------------------------------|---------------------------|
| Алматы (7273)495-231 | Казань (843)206-01-48 | Новокузнецк (3843)20-46-81 | Смоленск (4812)29-41-54 |
| Архангельск (8182)63-90-72 | Калининград (4012)72-03-81 | Новосибирск (383)227-86-73 | Сочи (862)225-72-31 |
| Астрахань (8512)99-46-04 | Калуга (4842)92-23-67 | Омск (3812)21-46-40 | Ставрополь (8652)20-65-13 |
| Барнаул (3852)73-04-60 | Кемерово (3842)65-04-62 | Орел (4862)44-53-42 | Сургут (3462)77-98-35 |
| Белгород (4722)40-23-64 | Киров (8332)68-02-04 | Оренбург (3532)37-68-04 | Тверь (4822)63-31-35 |
| Брянск (4832)59-03-52 | Краснодар (861)203-40-90 | Пенза (8412)22-31-16 | Томск (3822)98-41-53 |
| Владивосток (423)249-28-31 | Красноярск (391)204-63-61 | Пермь (342)205-81-47 | Тула (4872)74-02-29 |
| Волгоград (844)278-03-48 | Курск (4712)77-13-04 | Ростов-на-Дону (863)308-18-15 | Тюмень (3452)66-21-18 |
| Вологда (8172)26-41-59 | Липецк (4742)52-20-81 | Рязань (4912)46-61-64 | Ульяновск (8422)24-23-59 |
| Воронеж (473)204-51-73 | Магнитогорск (3519)55-03-13 | Самара (846)206-03-16 | Уфа (347)229-48-12 |
| Екатеринбург (343)384-55-89 | Москва (495)268-04-70 | Санкт-Петербург (812)309-46-40 | Хабаровск (4212)92-98-04 |
| Иваново (4932)77-34-06 | Мурманск (8152)59-64-93 | Саратов (845)249-38-78 | Челябинск (351)202-03-61 |
| Ижевск (3412)26-03-58 | Набережные Челны (8552)20-53-41 | Севастополь (8692)22-31-93 | Череповец (8202)49-02-64 |
| Иркутск (395)279-98-46 | Нижний Новгород (831)429-08-12 | Симферополь (3652)67-13-56 | Ярославль (4852)69-52-93 |
| Россия (495)268-04-70 | Киргизия (996)312-96-26-47 | Казахстан (7172)727-132 | |

Stainless steel wafer butterfly valve with PTFE seat With pneumatic actuator



Product Description

Size DN50-DN1000

Body:Cast Iron,Ductile Iron,Carbon Steel,Stainless Steel

Seat:EPDM,NBR,PTFE,Viton,Neoprene,Hypalon,Silion

Shaft: Stainless Steel 416,316,304

Disc:Ductile Iron+Ni,CF8,CF8+PTFE,CF8M,CF8M+PTFE,Bronze

Bushing:PTFE

O-ring:NBR EPDM

Specifications:

| | |
|---------------------|---|
| Size | DN50-DN1000 |
| Nominal Pressure | PN10/16, 150-300LB |
| Working Temperature | -30。 c - 135。 C |
| Suitable Media | Chemicals, air, water, steam, oil, acids, salts ect |

Standards:

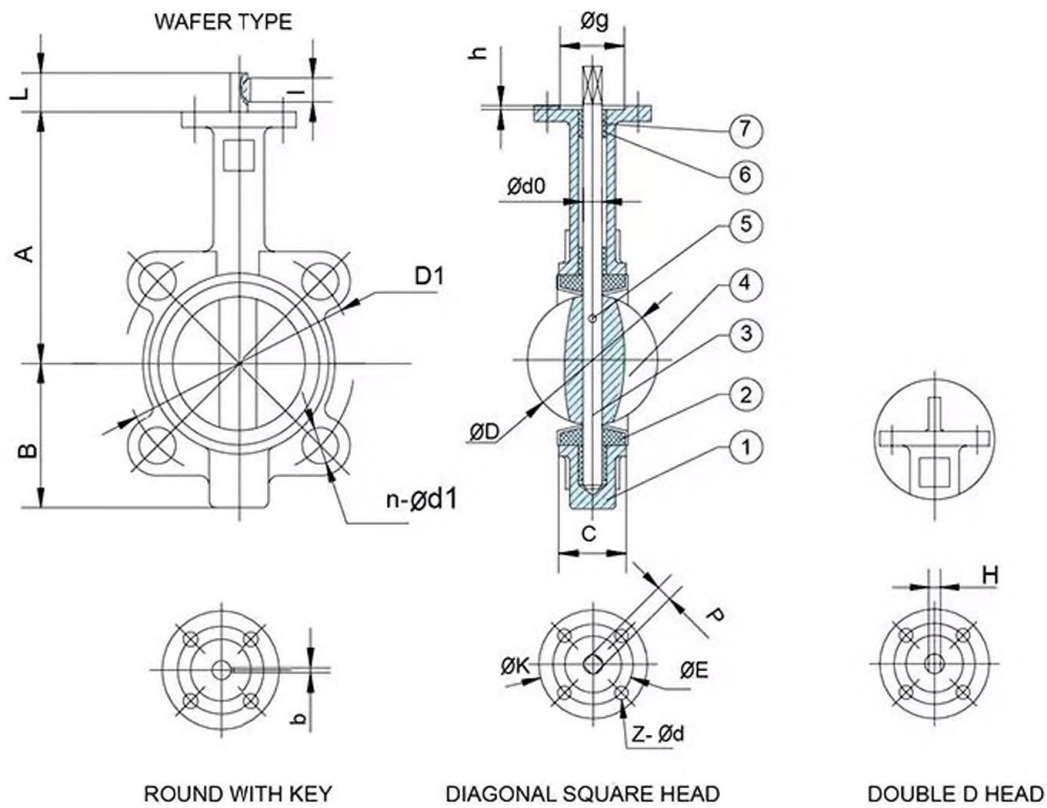
| | |
|-----------------|--|
| Design standard | API609, ANSI16.34, JISB2064, GB T12238 |
| Face to Face | API609, DIN3202, ISO5752, BS5155 |

| | |
|-----------------|---|
| Flange drilling | DIN2501 PN10/16, ANSI 125/150/300, BS4504, JIS10K |
| Top Flange | ISO5211 |
| Test Inspection | API598 |

Material:

| | |
|--------|--|
| Body | Cast Iron, Ductile Iron, Carbon Steel, Stainless Steel |
| Disc | Ductile Iron, Carbon Steel, Stainless Steel |
| Stem | Stainless Steel |
| Seat | EPDM, NBR, PTFE, VITON, HYPALON |
| O ring | EPDM, NBR |





STANDARD MATERIALS OF MAIN PARTS

| NO. | PART | MATERIAL |
|-----|---------|--|
| 1 | Body | Cast Iron ,Ductile Iron ,Carbon Steel ,Stainless Steel |
| 2 | Seat | NBR,EPDM,Viton,Neoprene ,Hypalon,Silicon |
| 3 | Shaft | Stainless Steel416,316,304 |
| 4 | Disc | Ductile Iron +Ni,CF8,CF8M,Bronze |
| 5 | Pin | Stainless Steel |
| 6 | Bushing | PTFE,Bronze |
| 7 | O Ring | NBR,EPDM |

DIMENSIONS

| SIZE | | A | B | C | D | L | d0 | P | H | key | UPPER FLANGE | | | | ANSI 150 | | DIN PN10/16 | | |
|-------|------|-----|-----|-------|-------|---------|-------------|----|----|----------|--------------|-----|------|-----|----------|-------|-------------|-----------|----------|
| in | DN | | | | | | | | | bxl | K | E | z-d | g | h | D1 | n-ød1 | D1 | n-ød1 |
| 1-1/2 | 40 | 145 | 75 | 33 | 424 | 32 | 12.6 | - | - | 3X16 | 77 | 50 | 4.7 | 35 | 3 | 98.5 | 4-16 | 110 | 4-18 |
| 2 | 50 | 161 | 80 | 42 | 526 | 32 | 12.6 | 9 | 10 | 3X16 | 77 | 50 | 4.7 | 35 | 3 | 120.5 | 4-19 | 125 | 4-18 |
| 2-1/2 | 65 | 175 | 89 | 44.7 | 645 | 32 | 12.6 | 9 | 10 | 3X16 | 77 | 50 | 4.7 | 35 | 3 | 139.5 | 4-19 | 145 | 4-18 |
| 3 | 80 | 181 | 95 | 45.2 | 788 | 32 | 12.6 | 9 | 10 | 3X16 | 77 | 50 | 4.7 | 35 | 3 | 152.5 | 4-19 | 160 | 4/8-18 |
| 4 | 100 | 200 | 114 | 52.1 | 104 | 32 | 15.77 | 11 | 12 | 5X19 | 90 | 70 | 4.9 | 55 | 3 | 190.5 | 8-19 | 180 | 8-18 |
| 5 | 125 | 213 | 127 | 54.4 | 123.3 | 32 | 18.92 | 14 | 14 | 5X19 | 90 | 70 | 4.9 | 55 | 3 | 216 | 8-22 | 210 | 8-18 |
| 6 | 150 | 226 | 139 | 55.8 | 155.6 | 32 | 18.92 | 14 | 14 | 5X19 | 90 | 70 | 4.9 | 55 | 3 | 241.5 | 8-22 | 240 | 8-23 |
| 8 | 200 | 260 | 175 | 60.6 | 202.5 | 45 | 22.1 | 17 | 17 | 5X19 | 125 | 102 | 4-12 | 70 | 35 | 298.5 | 8-22 | 295 | 8/12-23 |
| 10 | 250 | 292 | 203 | 65.6 | 250.5 | 45 | 28.45 | 22 | 22 | 8X28 | 125 | 102 | 4-12 | 70 | 35 | 362 | 12-25 | 350/355 | 12-23/27 |
| 12 | 300 | 337 | 242 | 76.9 | 301.6 | 45 | 31.6 | 22 | 24 | 8X28 | 140 | 102 | 4-12 | 70 | 35 | 432 | 12-25 | 400/410 | 12-23/27 |
| 14 | 350 | 368 | 267 | 76.5 | 333.3 | 45 | 31.6 | 22 | 24 | 8X28 | 140 | 102 | 4-12 | 70 | 35 | 476 | 12-29 | 460/470 | 16-23/27 |
| 16 | 400 | 400 | 309 | 86.5 | 389.6 | 51.2/72 | 33.15/38 | 24 | 24 | 10X50 | 175 | 140 | 4-18 | 100 | 4 | 540 | 16-29 | 515/525 | 16-27/30 |
| 18 | 450 | 422 | 328 | 105.6 | 440.5 | 51.2/72 | 38/42.86 | 27 | 27 | 10X50 | 175 | 140 | 4-18 | 100 | 4 | 578 | 16-32 | 565/585 | 20-27/30 |
| 20 | 500 | 480 | 361 | 131.8 | 491.6 | 64.2/82 | 41.15/45.72 | 32 | 32 | 10X50 | 175 | 140 | 4-18 | 100 | 4 | 635 | 20-32 | 620/650 | 20-27/33 |
| 24 | 600 | 562 | 459 | 152 | 592.5 | 70.2/82 | 50.65/53.98 | 36 | 36 | 2-16X60 | 210 | 165 | 4-23 | 130 | 5 | 749.5 | 20-35 | 725/770 | 20-30/36 |
| 28 | 700 | 624 | 520 | 163 | 695 | 66/82 | 55/63.35 | - | - | 2-18X63 | 300 | 254 | 8-18 | 200 | 5.5 | 863.5 | 28-35 | 840 | 24-30/36 |
| 30 | 750 | 660 | 539 | 165 | 744.3 | 66/82 | 55/63.35 | - | - | 2-18X63 | 300 | 254 | 8-18 | 200 | 5.5 | 914.5 | 28-35 | - | - |
| 32 | 800 | 672 | 591 | 188 | 794.7 | 66/82 | 55/63.35 | - | - | 2-18X63 | 300 | 254 | 8-18 | 200 | 5.5 | 978 | 28-41 | 950 | 24-33/39 |
| 36 | 900 | 720 | 656 | 203 | 864.7 | 118 | 75 | - | - | 2-20X100 | 300 | 254 | 8-18 | 200 | 5.5 | 1086 | 32-41 | 1050 | 28-33/39 |
| 40 | 1000 | 800 | 721 | 216 | 965 | 142 | 85 | - | - | 2-20X100 | 300 | 254 | 8-18 | 200 | 5.5 | 1200 | 36-41 | 1160/1170 | 28-36/42 |

По вопросам продаж и поддержки обращайтесь:

| | | | |
|-----------------------------|---------------------------------|--------------------------------|---------------------------|
| Алматы (7273)495-231 | Казань (843)206-01-48 | Новокузнецк (3843)20-46-81 | Смоленск (4812)29-41-54 |
| Архангельск (8182)63-90-72 | Калининград (4012)72-03-81 | Новосибирск (383)227-86-73 | Сочи (862)225-72-31 |
| Астрахань (8512)99-46-04 | Калуга (4842)92-23-67 | Омск (3812)21-46-40 | Ставрополь (8652)20-65-13 |
| Барнаул (3852)73-04-60 | Кемерово (3842)65-04-62 | Орел (4862)44-53-42 | Сургут (3462)77-98-35 |
| Белгород (4722)40-23-64 | Киров (8332)68-02-04 | Оренбург (3532)37-68-04 | Тверь (4822)63-31-35 |
| Брянск (4832)59-03-52 | Краснодар (861)203-40-90 | Пенза (8412)22-31-16 | Томск (3822)98-41-53 |
| Владивосток (423)249-28-31 | Красноярск (391)204-63-61 | Пермь (342)205-81-47 | Тула (4872)74-02-29 |
| Волгоград (844)278-03-48 | Курск (4712)77-13-04 | Ростов-на-Дону (863)308-18-15 | Тюмень (3452)66-21-18 |
| Вологда (8172)26-41-59 | Липецк (4742)52-20-81 | Рязань (4912)46-61-64 | Ульяновск (8422)24-23-59 |
| Воронеж (473)204-51-73 | Магнитогорск (3519)55-03-13 | Самара (846)206-03-16 | Уфа (347)229-48-12 |
| Екатеринбург (343)384-55-89 | Москва (495)268-04-70 | Санкт-Петербург (812)309-46-40 | Хабаровск (4212)92-98-04 |
| Иваново (4932)77-34-06 | Мурманск (8152)59-64-93 | Саратов (845)249-38-78 | Челябинск (351)202-03-61 |
| Ижевск (3412)26-03-58 | Набережные Челны (8552)20-53-41 | Севастополь (8692)22-31-93 | Череповец (8202)49-02-64 |
| Иркутск (395)279-98-46 | Нижний Новгород (831)429-08-12 | Симферополь (3652)67-13-56 | Ярославль (4852)69-52-93 |
| Россия (495)268-04-70 | Киргизия (996)312-96-26-47 | Казахстан (7172)727-132 | |