

DIN API Turbine Flange Butterfly Valve for Water

Технические характеристики

По вопросам продаж и поддержки обращайтесь:

Алматы (7273)495-231
Архангельск (8182)63-90-72
Астрахань (8512)99-46-04
Барнаул (3852)73-04-60
Белгород (4722)40-23-64
Брянск (4832)59-03-52
Владивосток (423)249-28-31
Волгоград (844)278-03-48
Вологда (8172)26-41-59
Воронеж (473)204-51-73
Екатеринбург (343)384-55-89
Иваново (4932)77-34-06
Ижевск (3412)26-03-58
Иркутск (395)279-98-46
Россия (495)268-04-70

Казань (843)206-01-48
Калининград (4012)72-03-81
Калуга (4842)92-23-67
Кемерово (3842)65-04-62
Киров (8332)68-02-04
Краснодар (861)203-40-90
Красноярск (391)204-63-61
Курск (4712)77-13-04
Липецк (4742)52-20-81
Магнитогорск (3519)55-03-13
Москва (495)268-04-70
Мурманск (8152)59-64-93
Набережные Челны (8552)20-53-41
Нижний Новгород (831)429-08-12
Киргизия (996)312-96-26-47

Новокузнецк (3843)20-46-81
Новосибирск (383)227-86-73
Омск (3812)21-46-40
Орел (4862)44-53-42
Оренбург (3532)37-68-04
Пенза (8412)22-31-16
Пермь (342)205-81-47
Ростов-на-Дону (863)308-18-15
Рязань (4912)46-61-64
Самара (846)206-03-16
Санкт-Петербург (812)309-46-40
Саратов (845)249-38-78
Севастополь (8692)22-31-93
Симферополь (3652)67-13-56
Казахстан (7172)727-132

Смоленск (4812)29-41-54
Сочи (862)225-72-31
Ставрополь (8652)20-65-13
Сургут (3462)77-98-35
Тверь (4822)63-31-35
Томск (3822)98-41-53
Тула (4872)74-02-29
Тюмень (3452)66-21-18
Ульяновск (8422)24-23-59
Уфа (347)229-48-12
Хабаровск (4212)92-98-04
Челябинск (351)202-03-61
Череповец (8202)49-02-64
Ярославль (4852)69-52-93



DIN API Turbine Flange Butterfly Valve for Water

Port: Tianjin, China	Production Capacity: 1000PCS/Per Day	Payment Terms: L/C, T/T Work Pressure: Low Pressure (Pn<1.6mpa)
Working Temperature: Normal Temperature (-40°C<T<120°C)	Material of Seal Surface: Soft Sealed Application: Industrial Usage, Household Usage	Valve Body: Casting Standard: DIN, BS, ANSI, JIS Size: Dn40-Dn1200 2"-48" 40mm-1200mm
Material: Cast Iron, Ductile Iron	Trademark: TFW	Transport Package: Plywood Case
Specification: CE	Origin: Tianjin China	HS Code: 84818040
Media: Water Oil	Driving Mode: Manual Electric Pneumatic	Connection Form: Lug Support
Structure: Centre Sealing	Seal Form: Force Sealed	Valve Stem: Normal

Product Description

Wafer type Butterfly Valve

Size: DN40-DN1200

End Flange: ANSI B 16.1 EN1092 AS2129

Face to Face: ANSI B 16.10

Top Flange: ISO 5211

Normal Pressure: PN1.0/1.6Mpa(150/200PSI)

Body: Cast Iron/Ductile Iron/WCB/ALB/CF8/CF8M

Disc: Cast Iron/Ductile Iron/ALB/CF8M/CF8

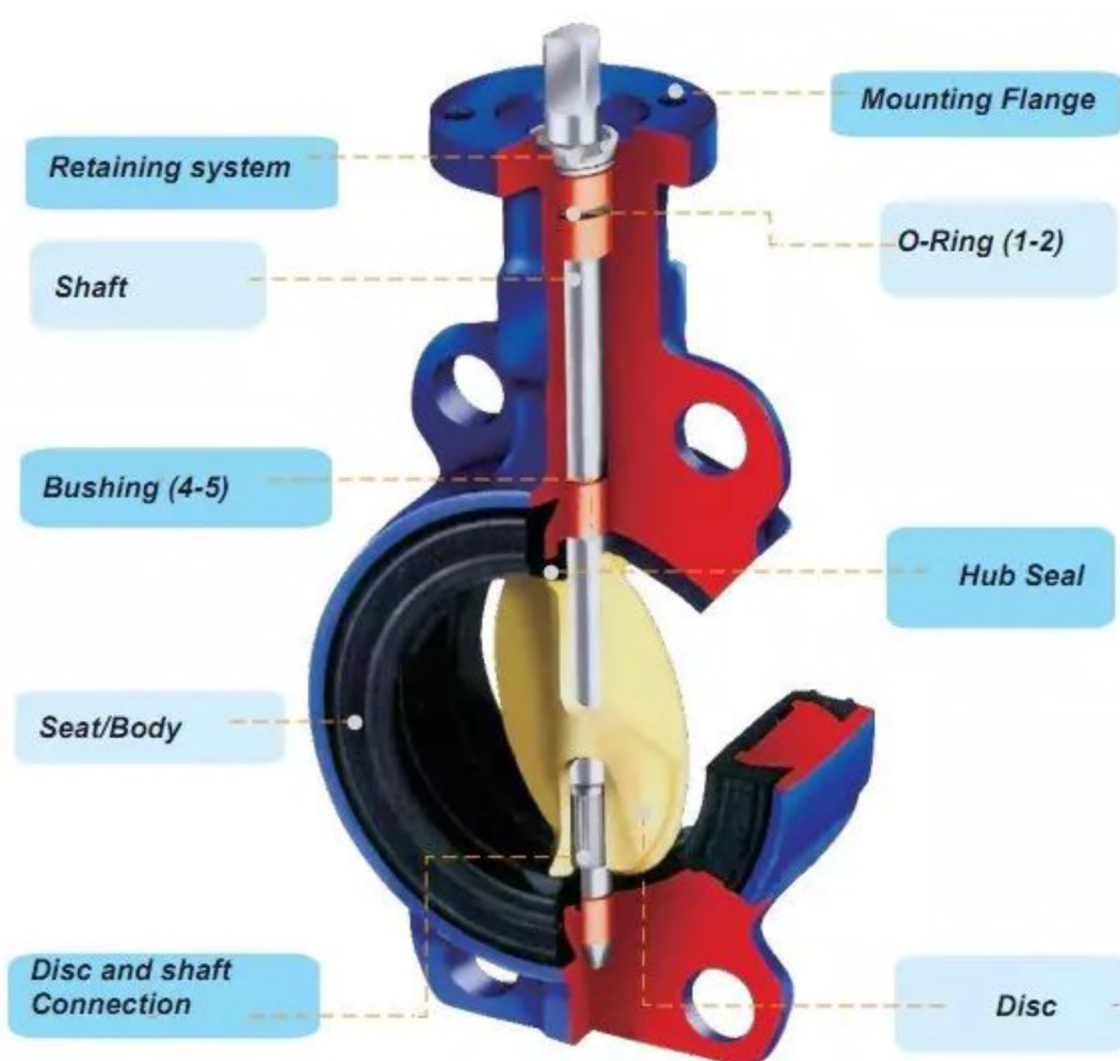
Stem: SS416/304/316/431

Seat: Hypalon/EPDM/Neoprene/NBR/Viton/Silicon/PTFE

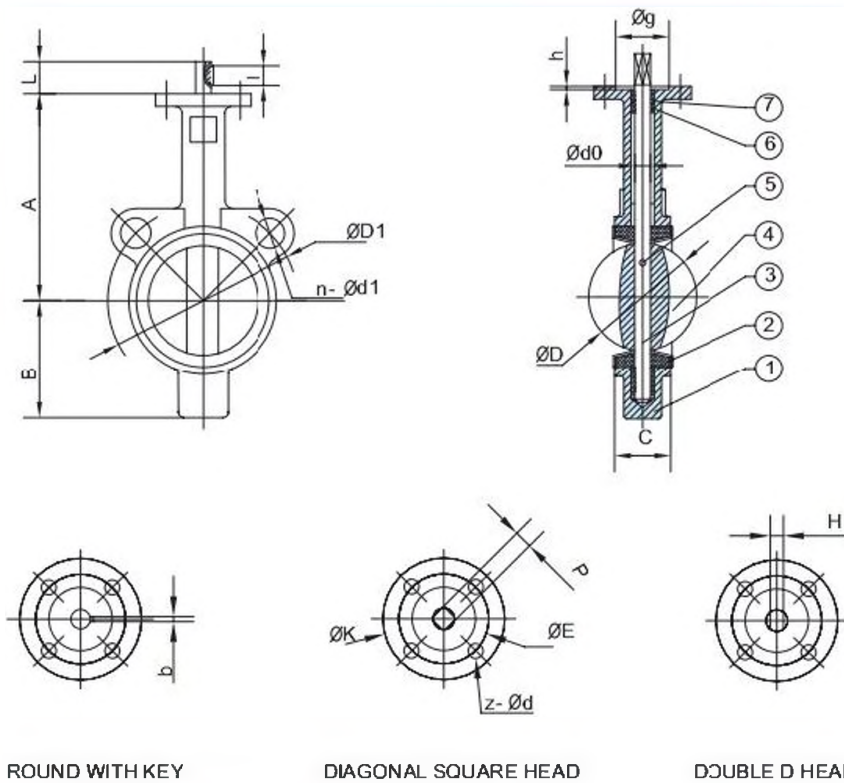
Suitable Temperature: -45C to 150C

Features:

1. Structure simple compact, the weight is light, 90° revolves, the switch is rapid
2. Designs reasonably, the assembling and dismantling is easy, to be advantageous for the service
3. Uses the eccentric structure, reduces the seal packing collar the friction, lengthens the valve service life
4. Completely seals, divulges for zero



Wafer Butterfly Valve (Two Holes)



STANDARD MATERIALS OF MAIN PARTS

NO.	PART	MATERIAL
1	Body	Cast Iron ,Ductile Iron ,Carbon Steel ,Stainless Steel
2	Seat	NBR,EPDM,Viton,Neoprene ,Hypalon,Silicon
3	Shaft	Stainless Steel416,316,304
4	Disc	Ductile Iron +Ni,CF8,CF8M,Bronze
5	Pin	Stainless Steel
6	Bushing	PTFE,Bronze
7	O Ring	NBR,EPDM

DIMENSIONS

SIZE	in	DN	A	B	C	D	L	d0	P	H	key				UPPER FLANGE		ANSI 150		DIN PN16/10	
											bxl	K	E	z-d	h	D1	n-d1	D1	n-d1	
2	50	140	80	42	526	32	12.6	9	10	3X16	77	50	47	35	3	120.5	4-19	125	4-18	
2-1/2	65	152	89	44.7	645	32	12.6	9	10	3X16	77	50	47	35	3	139.5	4-19	145	4-18	
3	80	159	95	45.2	788	32	12.6	9	10	3X16	77	50	47	35	3	152.5	4-19	160	4-18	
4	100	178	114	52.1	104	32	15.77	11	12	5X19	90	70	49	55	3	190.5	8-19	180	8-18	
5	125	190	127	54.4	1233	32	18.92	14	14	5X19	90	70	49	55	3	216	8-22	210	8-18	
6	150	203	139	55.8	1556	32	18.92	14	14	5X19	90	70	49	55	3	241.5	8-22	240	8-23	
8	200	238	175	60.6	2025	45	22.1	17	17	5X19	125	102	4-12	70	3.5	298.5	8-22	295	8-12-23	
10	250	268	203	65.6	2505	45	28.45	22	22	8X28	125	102	4-12	70	3.5	362	12-25	350/355	12-23/27	
12	300	306	242	76.9	3016	45	31.6	22	24	8X28	140	102	4-12	70	3.5	432	12-25	400/410	12-23/27	

One-piece wafer body style or full lug style for terminal service. Both body styles offer bidirectional sealing as standard in conformance, Cast iron and stainless steel can be selected, Customizable product color and logo



Wide Variety Of Disc Material Choices

Precision machined and hand polished disc to provide a minimum torque and longer seat life. Customizable color material



Actuator Mounting Flange OR Handle

The top flange is drilled as per EN ISO 5211 to accommodate direct mounting of a wide range of actuators. Operating handles with different materials and colors



Wide Choice Of Seating Materials

Smooth finished disc flats mate with seat to give a highly efficient primary seal that prevents leakage into the shaft area. Customizable seat material, such as EPDM, NBR, PTFE and so on.



Optional Electric Actuated and Pneumatic Actuated



По вопросам продаж и поддержки обращайтесь:

Алматы (7273)495-231	Казань (843)206-01-48	Новокузнецк (3843)20-46-81	Смоленск (4812)29-41-54
Архангельск (8182)63-90-72	Калининград (4012)72-03-81	Новосибирск (383)227-86-73	Сочи (862)225-72-31
Астрахань (8512)99-46-04	Калуга (4842)92-23-67	Омск (3812)21-46-40	Ставрополь (8652)20-65-13
Барнаул (3852)73-04-60	Кемерово (3842)65-04-62	Орел (4862)44-53-42	Сургут (3462)77-98-35
Белгород (4722)40-23-64	Киров (8332)68-02-04	Оренбург (3532)37-68-04	Тверь (4822)63-31-35
Брянск (4832)59-03-52	Краснодар (861)203-40-90	Пенза (8412)22-31-16	Томск (3822)98-41-53
Владивосток (423)249-28-31	Красноярск (391)204-63-61	Пермь (342)205-81-47	Тула (4872)74-02-29
Волгоград (844)278-03-48	Курск (4712)77-13-04	Ростов-на-Дону (863)308-18-15	Тюмень (3452)66-21-18
Вологда (8172)26-41-59	Липецк (4742)52-20-81	Рязань (4912)46-61-64	Ульяновск (8422)24-23-59
Воронеж (473)204-51-73	Магнитогорск (3519)55-03-13	Самара (846)206-03-16	Уфа (347)229-48-12
Екатеринбург (343)384-55-89	Москва (495)268-04-70	Санкт-Петербург (812)309-46-40	Хабаровск (4212)92-98-04
Иваново (4932)77-34-06	Мурманск (8152)59-64-93	Саратов (845)249-38-78	Челябинск (351)202-03-61
Ижевск (3412)26-03-58	Набережные Челны (8552)20-53-41	Севастополь (8692)22-31-93	Череповец (8202)49-02-64
Иркутск (395)279-98-46	Нижний Новгород (831)429-08-12	Симферополь (3652)67-13-56	Ярославль (4852)69-52-93
Россия (495)268-04-70	Киргизия (996)312-96-26-47	Казахстан (7172)727-132	